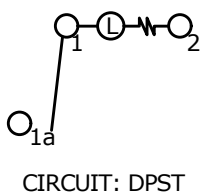
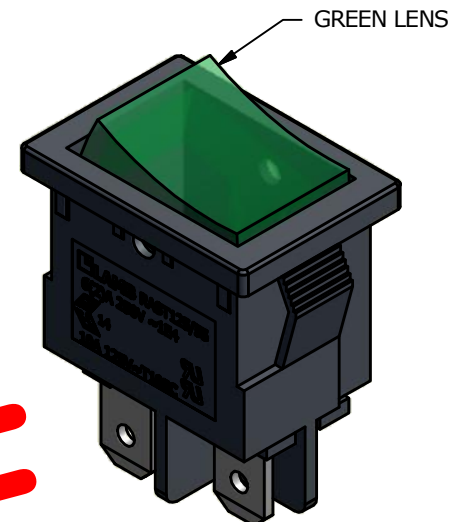
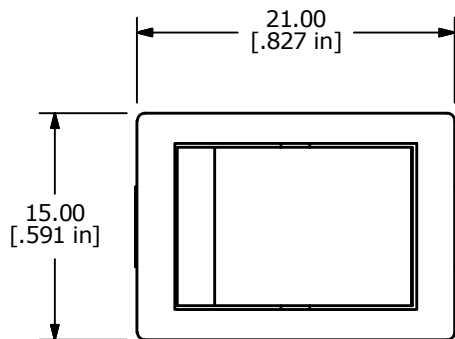


PANEL CUTOUT

PANEL THICKNESS	X
0.75 - 1.25	19.2
1.25 - 2.00	19.4
2.00 - 3.00	19.6

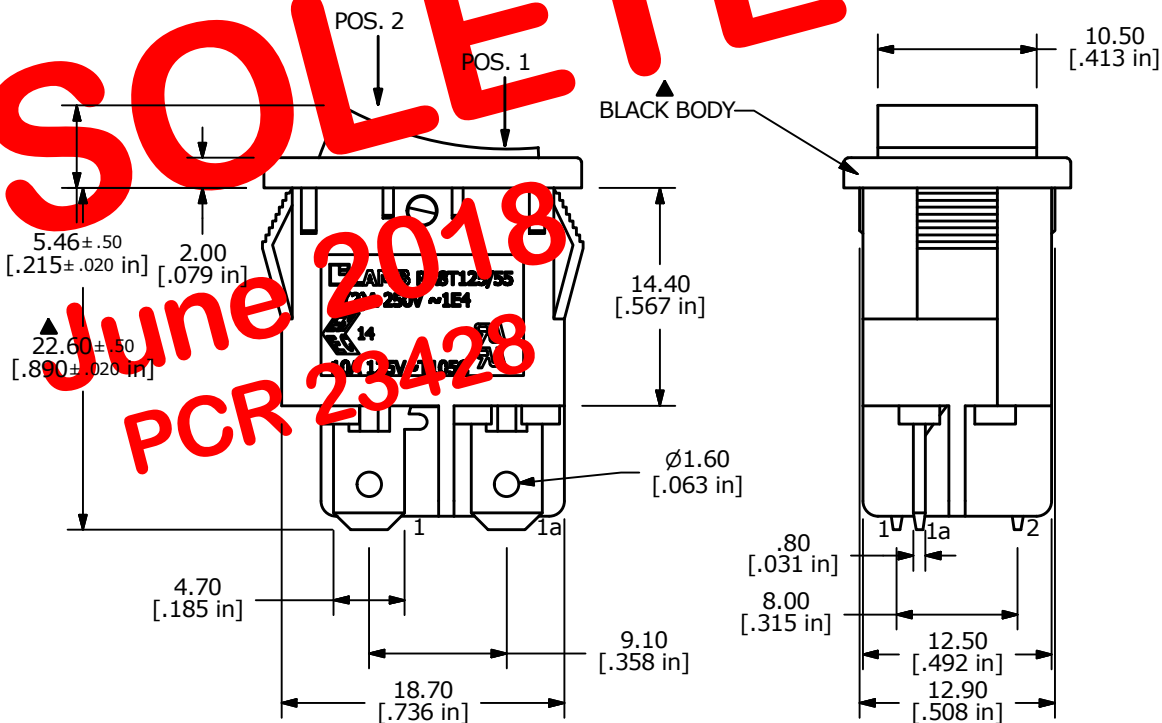
SWITCH FUNCTION	
POS. 1	POS. 2
OFF	ON
OPEN	1-1a, 2-2a



NOTE:

1. DIMENSIONS IN MM [INCH]
2. GENERAL TOLERANCE: X.X = ± 0.4  
X.XX = ± 0.25
3. TERMINAL NUMBERS FOR REF ONLY
4. CONTACT MATERIAL: SILVER
- ▲ 5. CONTACT RATINGS: 10A @ 125VAC [UR, cUR]  
6(2)A @ 250V~ (ENEC)
6. CONTACT RESISTANCE: 35mΩ MAX. @ 50VAC
7. INSULATION RESISTANCE: 100MΩ MIN. @ 500VAC
8. DIELECTRIC STRENGTH: 1,500VAC FOR 1 MINUTE
9. ELECTRICAL LIFE: 6,000 CYCLES [UR, cUR]  
10,000 CYCLES [ENEC14: 6(2)A 250v~]
10. OPERATING TEMPERATURE: -20°C TO 105°C [UR, cUR]  
-20°C TO 125°C [ENEC14: 6(2)a 250v~]
11. ▲ DENOTES CRITICAL PARAMETER
12. 2002/95/EC (ROHS) COMPLIANT
- ▲ 13. LAMP VOLTAGE: 12V

OBSOLETE  
 June 2018  
 PCR 23428



A	21767	RELEASE FOR PRODUCTION	1/16/15	rc
REV	PCR NO	DESCRIPTION	DATE	BY

TITLE RA81131000-134				
SCALE	DATE	DR	DWG	REV
2:1	1/16/2015	rc	38-RA81131000134	A

THE INFORMATION CONTAINED IN THIS DOCUMENT IS PROPRIETARY TO E-SWITCH AND IS NOT TO BE COPIED OR TRANSFERRED